



# Vespertine Micro Installation Instructions



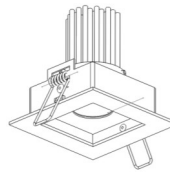
## IMPORTANT PLEASE READ BEFORE INSTALLATION

- Before commencing installation ensure the relevant mains supply has been safely isolated.
- Installation should be carried out in accordance with the latest relevant wiring regulations for the specific country/region.
- Installation should be carried out by a qualified electrician.
- Ensure all electrical connections are tight with no loose strands, including factory made connections.

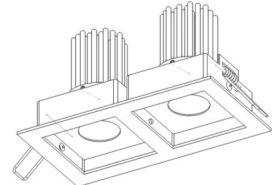
### WARNINGS

- Use only with the approved driver for this product.
- This luminaire is for indoor use only.
- **IMPORTANT** The LED driver must not be covered by ceiling insulation material; this will reduce the units operational lifetime, invalidate the guarantee and may cause a risk of fire.

This install manual covers the following products:

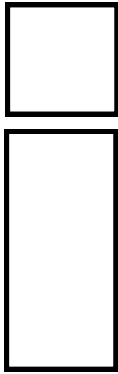


VS-AM-MW/xxx-xxx-xx-xx/xx

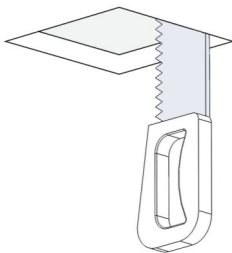


VS-XX-MW/xxx-xxx-xx-xx/xx

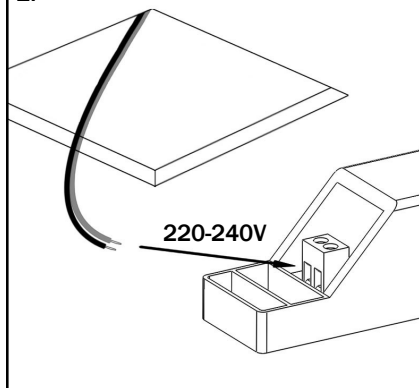
1.



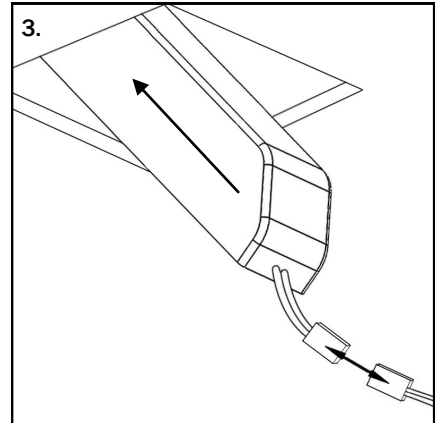
**Ceiling Cut-out Sizes:**  
Single: 66x66mm  
Double: 62x130mm



2.



3.



4.

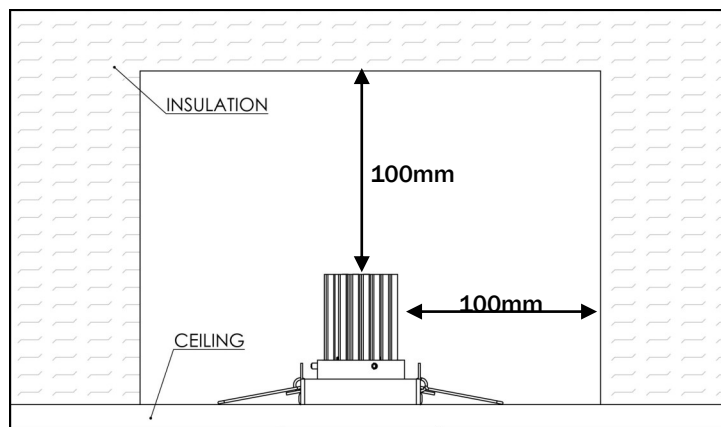
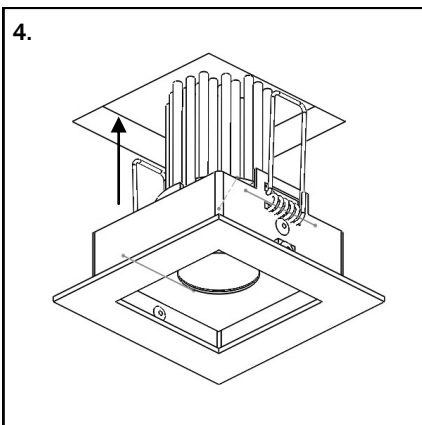


Diagram to show  
required air space

Photonstar LED Ltd.  
Unit 8, Westlink,  
Belbins Business Park  
Romsey  
Hampshire  
SO51 7JF  
UK

Tel: 0845 519 7717  
Email: [info@photonstarled.co.uk](mailto:info@photonstarled.co.uk)  
Web: [www.photonstarlighting.com](http://www.photonstarlighting.com)

