



PhotonStar™ Nemesis with Glass Ring Installation Instructions



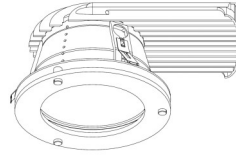
IMPORTANT PLEASE READ BEFORE INSTALLATION

- Before commencing installation ensure the relevant mains supply has been safely isolated.
- Installation should be carried out in accordance with the latest relevant wiring regulations for the specific country/region.
- Installation should be carried out by a qualified electrician.
- Ensure all electrical connections are tight with no loose strands, including factory made connections.

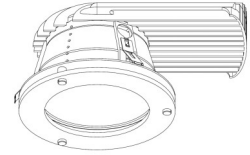
WARNINGS

- Use only with the approved driver for this product.
- This luminaire is for indoor use only.
- **IMPORTANT** The LED driver must not be covered by ceiling insulation material; this will reduce the units operational lifetime, invalidate the guarantee and may cause a risk of fire.

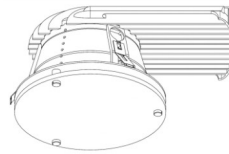
This install manual covers the following products:



NS-RC-MW/xxx-xxxx-xx-xx/xx

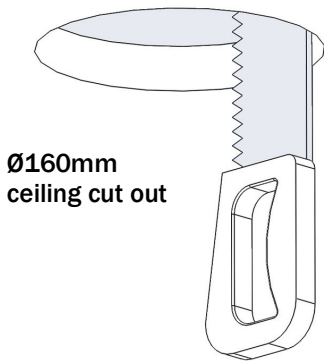


NS-RD-MW/xxx-xxxx-xx-xx/xx



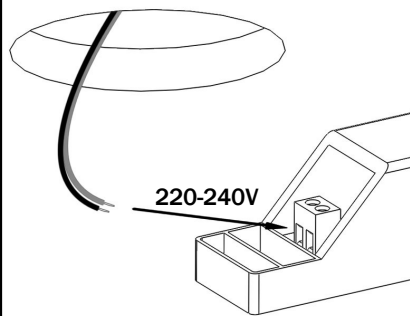
NS-DE-MW/xxx-xxxx-xx-xx/xx

1.



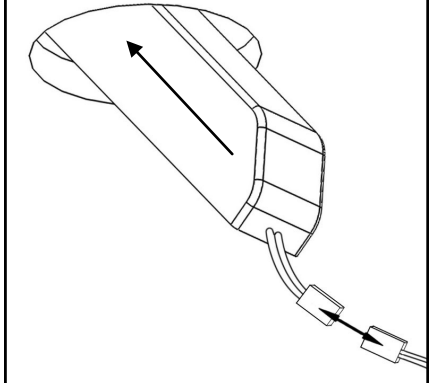
Ø160mm
ceiling cut out

2.

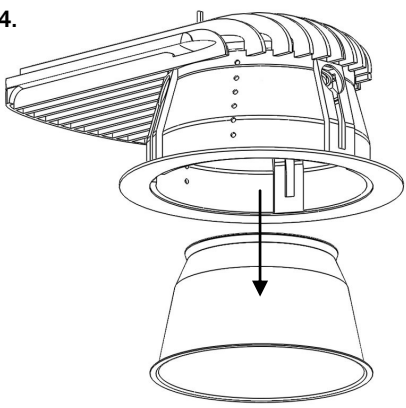


220-240V

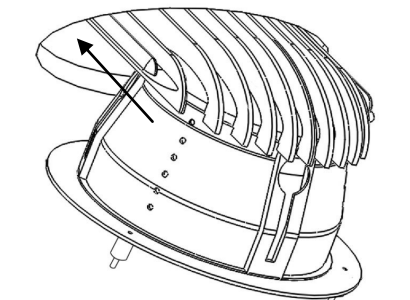
3.



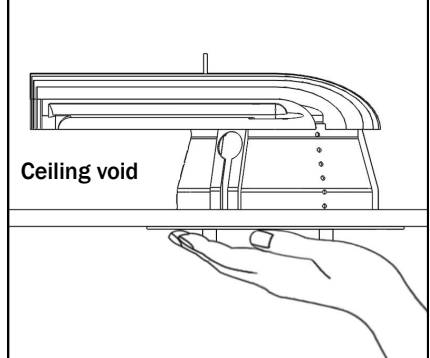
4.



5.



6.



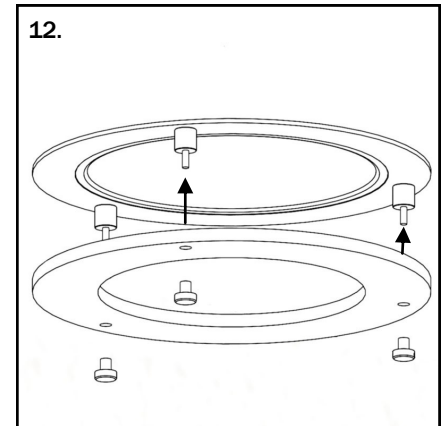
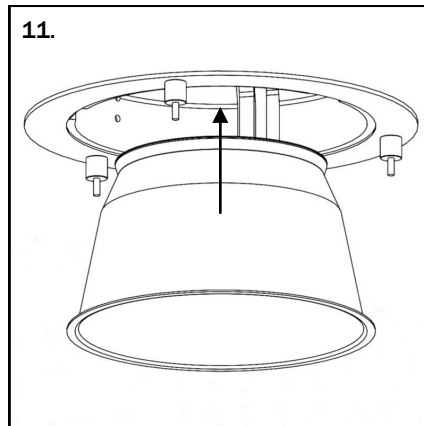
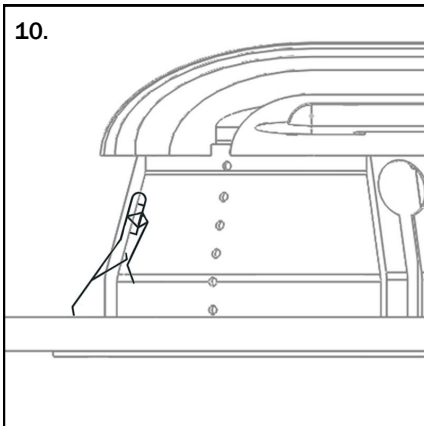
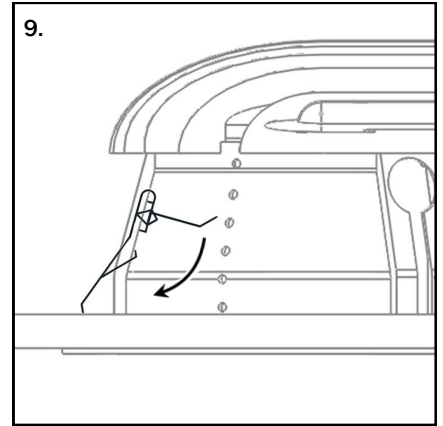
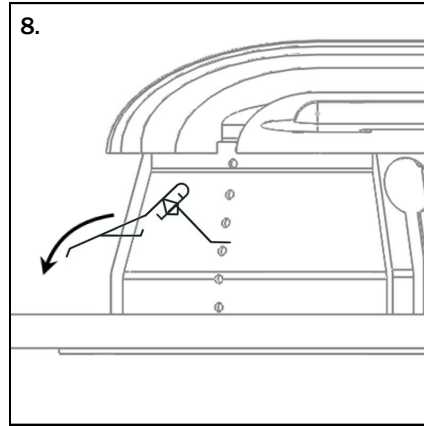
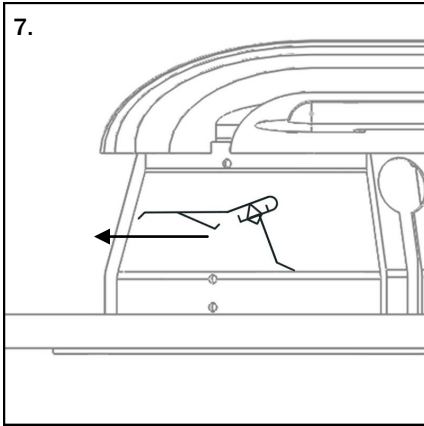
Ceiling void

Photonstar LED Ltd.
Unit 8, Westlink,
Belbins Business Park
Romsey
Hampshire
SO51 7JF
UK

Tel: 0845 519 7717
Email: info@photonstarled.co.uk
Web: www.photonstarlighting.com



PLEASE READ THESE INSTRUCTIONS CAREFULLY BEFORE INSTALLATION
PLEASE RETAIN INSTRUCTIONS FOR FUTURE REFERENCE



Photonstar LED Ltd.
Unit 8, Westlink,
Belbins Business Park
Romsey
Hampshire
SO51 7JF
UK

Tel: 0845 519 7717
Email: info@photonstarled.co.uk
Web: www.photonstarlighting.com



P2 of 2
Revision: 1.31/03/11