



PhotonStar™

# IP Rated Nemesis

## Installation Instructions



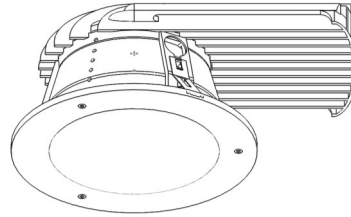
### IMPORTANT PLEASE READ BEFORE INSTALLATION

- Before commencing installation ensure the relevant mains supply has been safely isolated.
- Installation should be carried out in accordance with the latest relevant wiring regulations for the specific country/region.
- Installation should be carried out by a qualified electrician.
- Ensure all electrical connections are tight with no loose strands, including factory made connections.

### WARNINGS

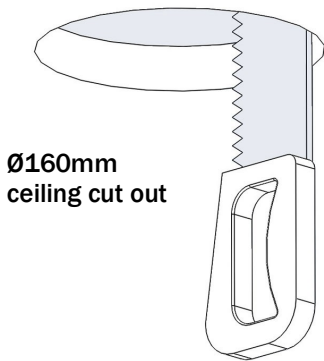
- Use only with the approved driver for this product.
- This luminaire is for indoor use only.
- **IMPORTANT** The LED driver must not be covered by ceiling insulation material; this will reduce the units operational lifetime, invalidate the guarantee and may cause a risk of fire.

This install manual covers the following products:



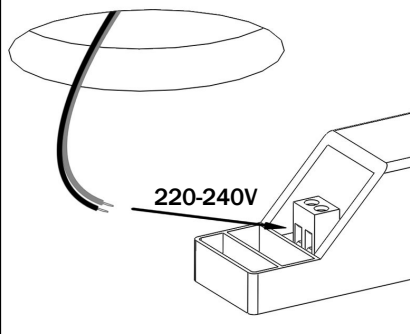
NS-44-MW/xxx-xxxx-xx-xx/xx  
NS-54-MW/xxx-xxxx-xx-xx/xx

1.



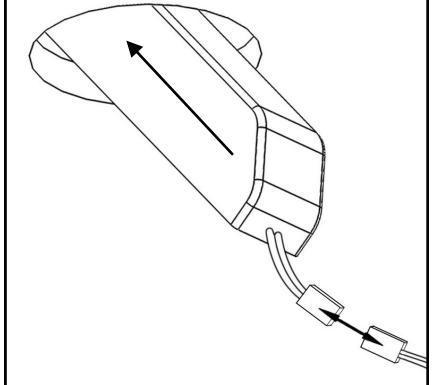
Ø160mm  
ceiling cut out

2.

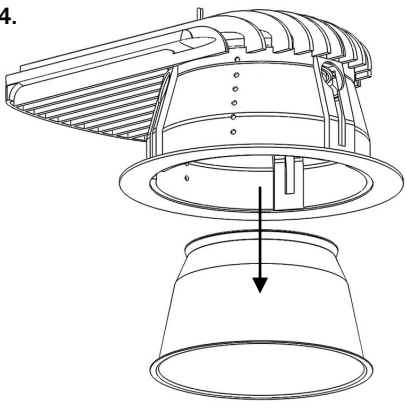


220-240V

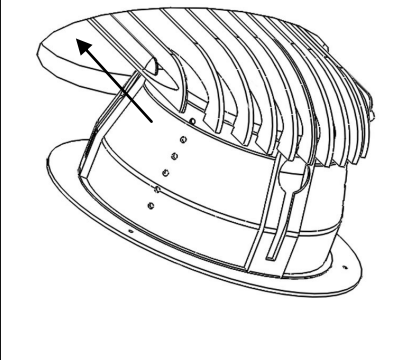
3.



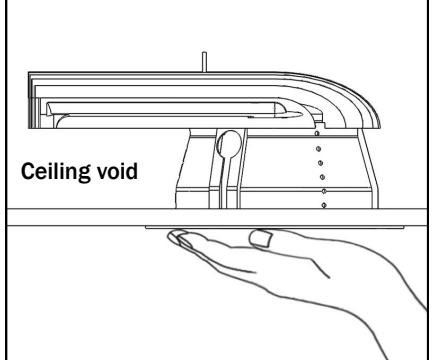
4.



5.



6.



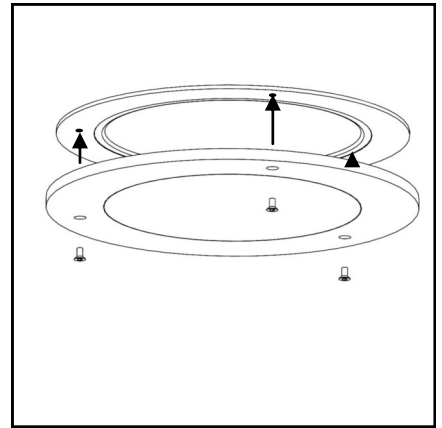
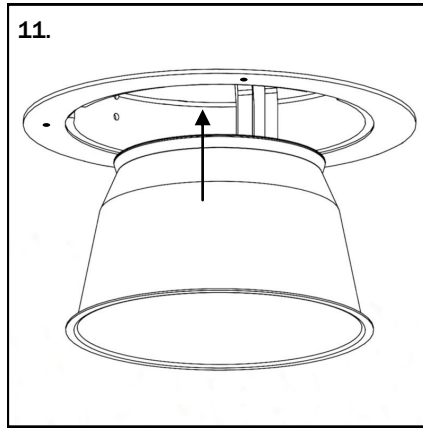
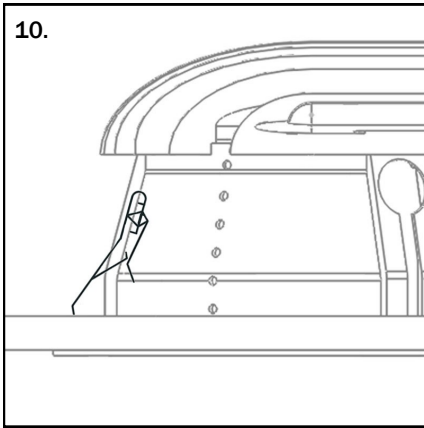
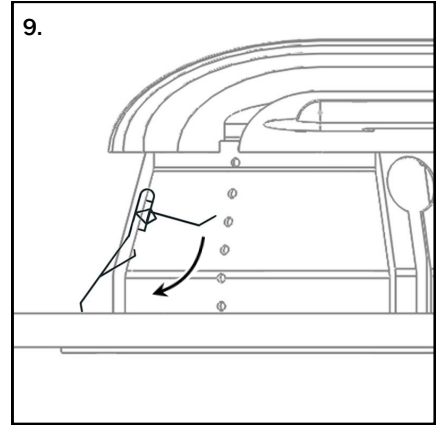
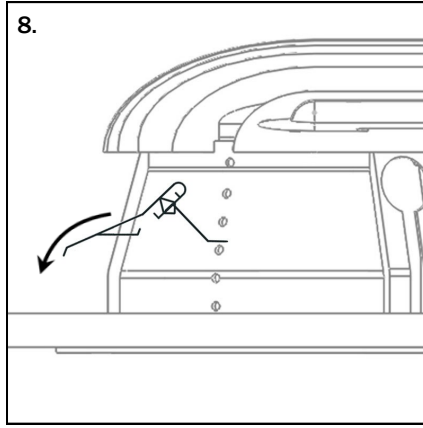
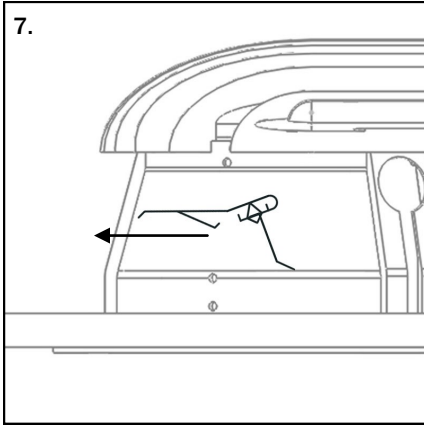
Ceiling void

Photonstar LED Ltd.  
Unit 8, Westlink,  
Belbins Business Park  
Romsey  
Hampshire  
SO51 7JF  
UK

Tel: 0845 519 7717  
Email: [info@photonstarled.co.uk](mailto:info@photonstarled.co.uk)  
Web: [www.photonstarlighting.com](http://www.photonstarlighting.com)



PLEASE READ THESE INSTRUCTIONS CAREFULLY BEFORE INSTALLATION  
PLEASE RETAIN INSTRUCTIONS FOR FUTURE REFERENCE



Photonstar LED Ltd.  
Unit 8, Westlink,  
Belbins Business Park  
Romsey  
Hampshire  
SO51 7JF  
UK

Tel: 0845 519 7717  
Email: [info@photonstarled.co.uk](mailto:info@photonstarled.co.uk)  
Web: [www.photonstarlighting.com](http://www.photonstarlighting.com)



P2 of 2  
Revision: 1.31/03/11