



Votan

Installation Instructions



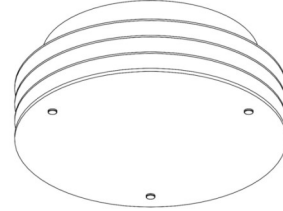
IMPORTANT PLEASE READ BEFORE INSTALLATION

- Before commencing installation ensure the relevant mains supply has been safely isolated.
- Installation should be carried out in accordance with the latest relevant wiring regulations for the specific country/region.
- Installation should be carried out by a qualified electrician.
- Ensure all electrical connections are tight with no loose strands, including factory made connections.

WARNINGS

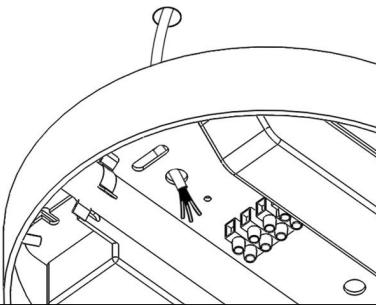
- Use only with the approved driver for this product.
- This luminaire is for indoor use only.
- **IMPORTANT** The LED driver must not be covered by ceiling insulation material; this will reduce the units operational lifetime, invalidate the guarantee and may cause a risk of fire.

This install manual covers the following products:

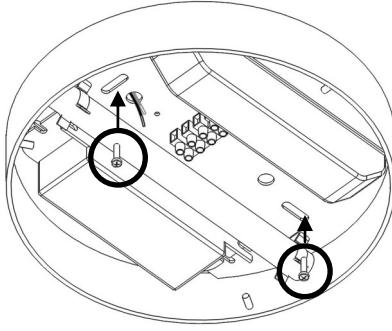


VN-SM-SS/xxx-xxx-xx-xx/xx

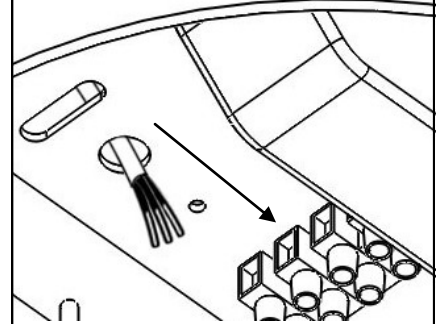
1. Thread the mains wire through the ceiling and into driver housing via the grommet.



2. Secure the driver housing to the ceiling using the appropriate screws/fixings for the ceiling type.

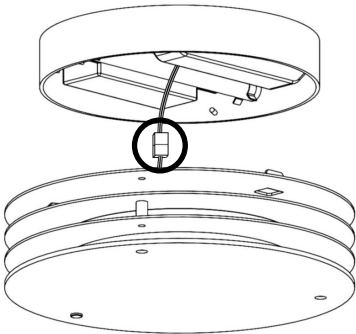


- 3.

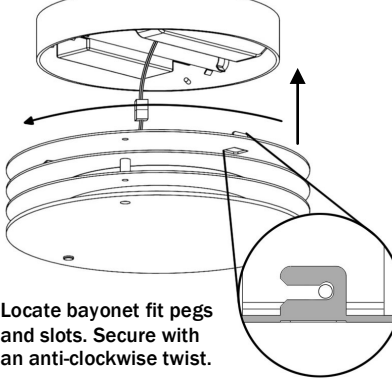


Connect the mains cable to corresponding terminals

- 4.



- 5.



Locate bayonet fit pegs and slots. Secure with an anti-clockwise twist.

Photonstar LED Ltd.
Unit 8, Westlink,
Belbins Business Park
Romsey
Hampshire
S051 7JF
UK

Tel: +44(0) 2381 230 381
Email: info@photonstarled.com
Web: www.photonstarlighting.com

