



# Venturi Maxi Installation Instructions



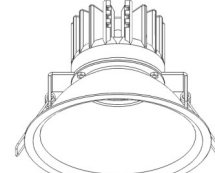
## IMPORTANT PLEASE READ BEFORE INSTALLATION

- Before commencing installation ensure the relevant mains supply has been safely isolated.
- Installation should be carried out in accordance with the latest relevant wiring regulations for the specific country/region.
- Installation should be carried out by a qualified electrician.
- Ensure all electrical connections are tight with no loose strands, including factory made connections.

### WARNINGS

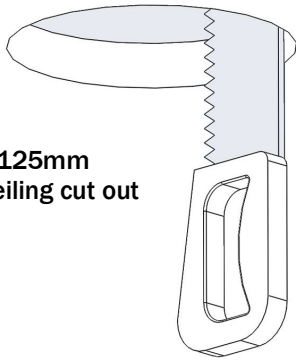
- Use only with the approved driver for this product.
- This luminaire is for indoor use only.
- **IMPORTANT** The LED driver must not be covered by ceiling insulation material; this will reduce the units operational lifetime, invalidate the guarantee and may cause a risk of fire.

This install manual covers the following products:



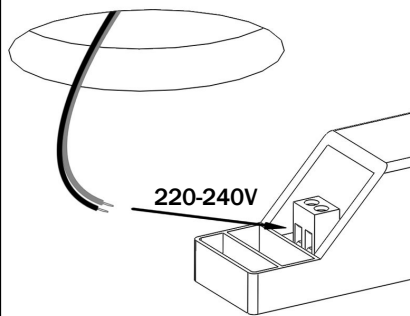
VT-MX-MW/xxx-xxx-xx-xx/xx

1.



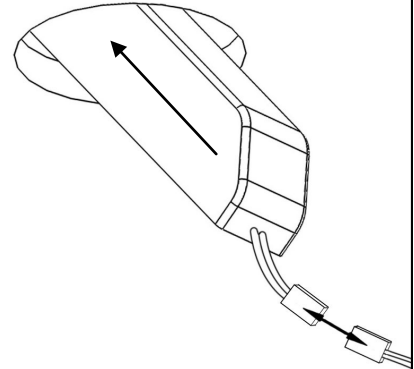
Ø125mm  
ceiling cut out

2.



220-240V

3.



4.

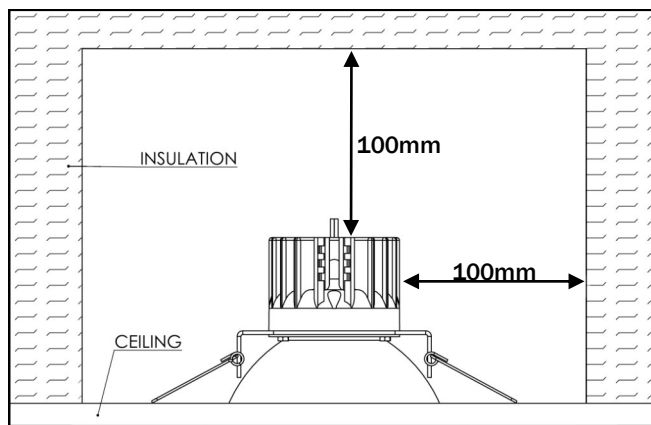
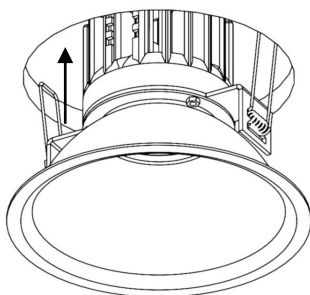


Diagram showing  
required airspace

Photonstar LED Ltd.  
Unit 8, Westlink,  
Belbins Business Park  
Romsey  
Hampshire  
SO51 7JF  
UK

Tel: +44(0) 2381 230 381  
Email: [info@photonstarled.com](mailto:info@photonstarled.com)  
Web: [www.photonstarlighting.com](http://www.photonstarlighting.com)

