



Taflun

Wirelessly Controlled LED Downlight Projector

v5_4_01a

- Halcyon™ wireless control system option
- Colour tuneable with RGB and pastels options
- Excellent efficacy up to 74 luminaire lumens per circuit Watt
- Up to 1753 delivered lumens
- 355° rotation and 180° tilt
- Dimming options available



Taflun

Low Glare Downlight Projector



Wireless colour control

355° rotation and 140° tilt

White colour tuneable range 1800K-7000K with full RGB and pastels

Up to 1753 delivered lumens

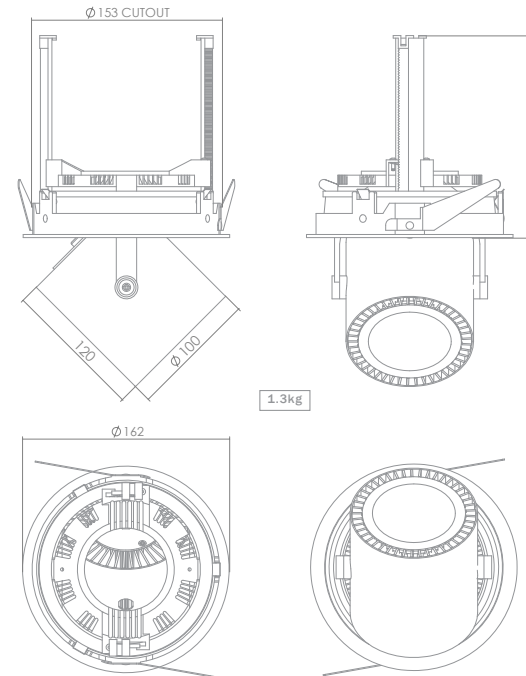
Efficacy of up to 74 luminaire lumens per circuit Watt

Cost effective die-cast aluminium construction

Low glare high performance specular reflector

Finish(es): Matt White (MW), Matt Black (MB)

Beam Angle(s): 10°/(NS), 24°/(NF), 36°/(FL)



Order Codes:

TFA1MW/SCT-2000-VCT/WF/HL2

Product	Finish	Light Engine-Lumens	Photometric Code	Beam	Drivers	Options
TFA1	MW, MB	● /SF2-2300	-830 -840	/NS /NF /FL	/AND /ADL /HL2	
		● /SCT-2000	-VCT	/NS /NF /FL	/DX2 /HL2	
		● /SCP-2000	-CPR	/NS /NF /FL	/DX2 /HL2	

NB: Unless stated, all dimensions are in mm

Performance Data for TFA1

Description	
Order Code	
Illuminance Comparable To	

SLLE Fixed White 2100	SLLE Circadian	SLLE CircadianMAX ColourMAX			
Fixed White Module	Tuneable 2700K - 6500K	Tuneable 1800K - 7000K & RGB			
SF2-2100	SCT-2000-VCT	SCP-2000-CPR			
-	-	-			

Light Engine Power	
LED (Source) Lumens (L ₁₀₀) [*]	
Luminaire / System Power ^{***}	
For Drivers: I / Vmax	

16.8W	19.3W	20W			
2338 lm	2103 lm @ 6500K	1753 lm @ 6500K			
19.3W	24.7W @ 6500K	25W @ 6500K			
500 mA / 35.5V	N/A****	N/A****			
-	-	-			

Beam Angle(s) (Measured)**

	10°/(NS)	29°/(NF)	47°/(WF)	10°/(NS)	29°/(NF)	47°/(WF)	10°/(NS)	29°/(NF)	47°/(WF)
--	----------	----------	----------	----------	----------	----------	----------	----------	----------

Delivered Lumens (L ₁₀₀)@	> 80 R _a 2700K			> 90 R _a 2700K			> 80 R _a 3000K			> 90 R _a 3000K			> 80 R _a 4000K			> 90 R _a 4000K					
		-	-	-	-	-	-	-	-	-	-	-	-	-	-	-	-	-	-		
	1343 lm	1343 lm	1343 lm	-	-	-	-	-	-	-	-	-	1436 lm	1436 lm	1436 lm	1735 lm @ 6500K	1735 lm @ 6500K	1735 lm @ 6500K	1446 lm @ 6500K	1446 lm @ 6500K	1446 lm @ 6500K
	-	-	-	-	-	-	-	-	-	-	-	-	-	-	-	-	-	-	-	-	-

Luminaire Efficacy (Lm/cW)	> 80 R _a 2700K			> 90 R _a 2700K			> 80 R _a 3000K			> 90 R _a 3000K			> 80 R _a 4000K			> 90 R _a 4000K					
		-	-	-	-	-	-	-	-	-	-	-	-	70	70	70	-	-	-	-	-
	70	70	70	-	-	-	-	-	-	-	-	-	74	74	74	70 @ 6500K	70 @ 6500K	70 @ 6500K	58 @ 6500K	58 @ 6500K	58 @ 6500K
	-	-	-	-	-	-	-	-	-	-	-	-	-	-	-	-	-	-	-	-	-

Initial / Maintained SDCM	<3 / <3
Rated Life (L ₇₀ F ₁₀)	50,000 hours
Lumen Maintenance Category	Cat 1 / Code 9

<3 / <3 @ 6500K	<3 / <3 @ 6500K	<3 / <3 @ 6500K			
50,000 hours	50,000 hours	50,000 hours			
Cat 1 / Code 9	Cat 1 / Code 9	Cat 1 / Code 9			

Drivers & Controls***

Drivers	Non-Dimming						Mains Dimming						1-10 Dimming						0-10 Dimming						Push Dimmable					
		/AND	-	-	-	-	-	-	-	-	-	-	-	-	-	-	-	-	-	-	-	-	-	-	-	-	-	-	-	-
	/ADL	-	-	-	-	-	-	-	-	-	-	-	-	-	-	-	-	-	-	-	-	-	-	-	-	-	-	-	-	-
	-	/DX2	-	-	-	-	-	-	-	-	-	-	-	-	-	-	-	-	-	-	-	-	-	-	-	-	-	-	-	-
	/HL2	/HL2	-	-	-	-	-	-	-	-	-	-	-	-	-	-	-	-	-	-	-	-	-	-	-	-	-	-	-	-
	-	-	-	-	-	-	-	-	-	-	-	-	-	-	-	-	-	-	-	-	-	-	-	-	-	-	-	-	-	-

NB: All figures +/- 10%.
Data in grey is indicative.
CRI shift at 6000 hours remains within 3 points of the rated CRI.

* @ 4000K Ra80
*** with recommended driver @ 25°C ambient, Power factor > 0.9, full data available in driver data sheets.
ChromaWhite is PhotonStar's flagship technology, undergoing constant innovation. Printed performance data on this product is likely to be superseded rapidly - always refer to the website for latest datasheet.

** Measured, half value angle (/code)
**** Paired only with Halcyon™ controller
* DMX control allows full colour tuning range but not colours

