

PLEASE READ THESE INSTRUCTIONS CAREFULLY BEFORE INSTALLATION  
PLEASE RETAIN INSTRUCTIONS FOR FUTURE REFERENCE



# Taflun - Projector Installation Instructions



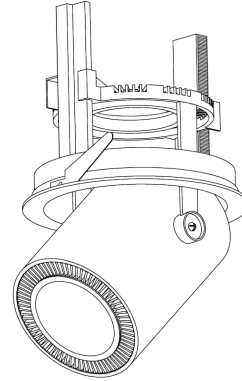
## IMPORTANT PLEASE READ BEFORE INSTALLATION

- Before commencing installation ensure the electricity is fully isolated.
- Installation should be carried out in accordance with the latest edition of the I.E.E. Wiring regulations (BS7671) taking into account the latest building regulations.
- Installation should be carried out by a qualified electrician.
- Live and Neutral can be connected to driver in either polarity.

## WARNINGS

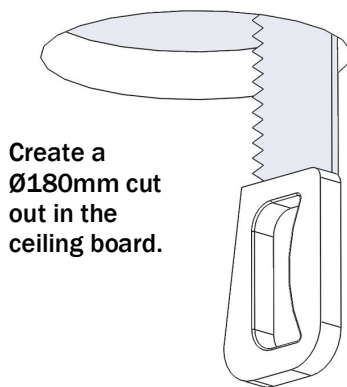
- Use only with the driver supplied
- This luminaire is for indoor use only
- **IMPORTANT** The driver must not be covered by ceiling insulation material; this will reduce the units operational lifetime, invalidate the guarantee and may cause a risk of fire. The driver can be installed up to 20m from the fitting. Free airspace diagram to be observed

This install manual covers the following products:



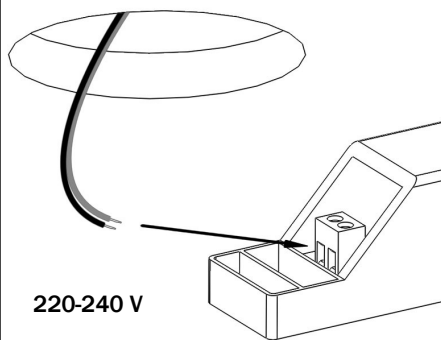
Taflun - Projector

1.



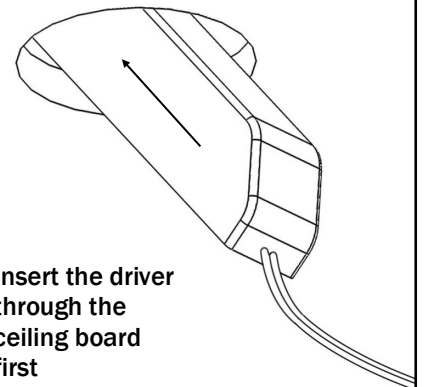
Create a  
Ø180mm cut  
out in the  
ceiling board.

2. Connect to mains



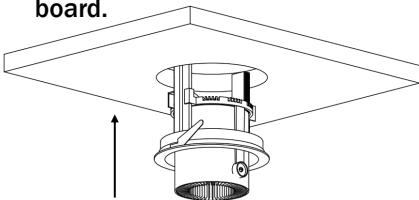
220-240 V

3.



Insert the driver  
through the  
ceiling board  
first

4. Hold back the springs and  
insert the fitting into the ceiling  
board.



5. Final Assembly

