



Reef

Installation Instructions



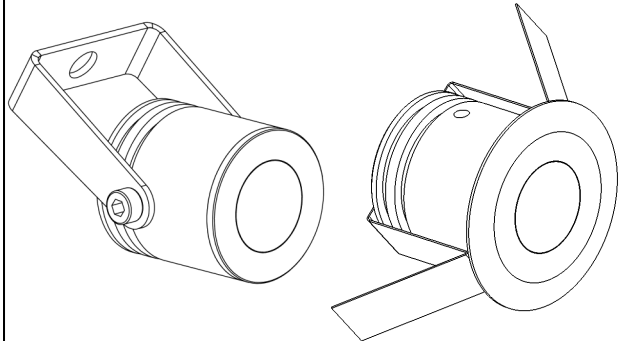
IMPORTANT PLEASE READ BEFORE INSTALLATION

- Before commencing installation ensure the relevant mains supply has been safely isolated.
- Installation should be carried out in accordance with the latest relevant wiring regulations for the specific country/region.
- Installation should be carried out by a qualified electrician.
- Ensure all electrical connections are tight with no loose strands, including factory made connections.

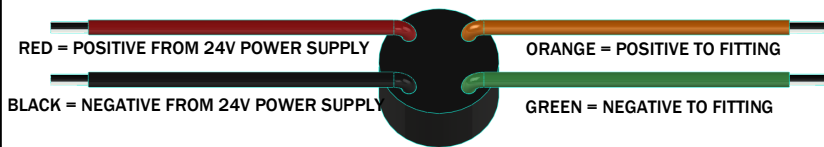
WARNINGS

- Use only with the approved driver for this product.
- **IMPORTANT** The LED driver must not be covered by ceiling insulation material; this will reduce the units operational lifetime, invalidate the guarantee and may cause a risk of fire.

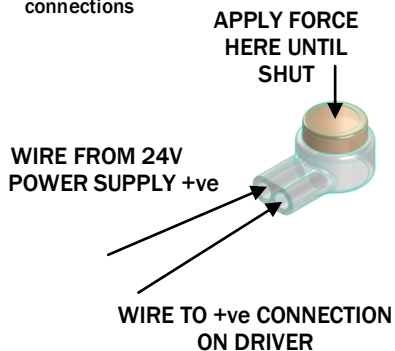
This install manual covers the following products:



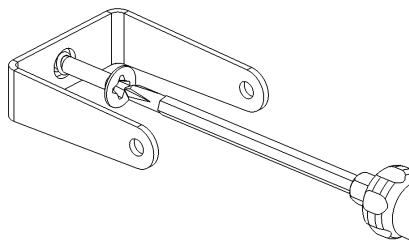
RF-FB/xxx-xxx-xx-xx/xx
RF-FR/xxx-xxx-xx-xx/xx
RF-FF/xxx-xxx-xx-xx/xx



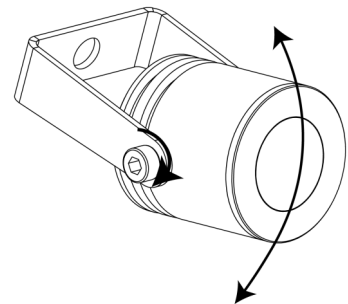
1. Example connection, how to use the butt connectors, repeat for all other connections



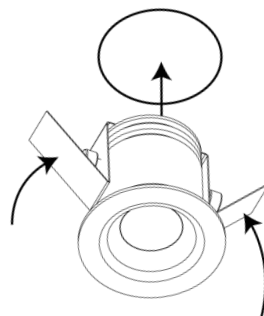
2. For surface mount adjustable version, fix bracket to surface using appropriate screws / fixings for surface type.



3. For bracket accessories mount fitting with screws and washers supplied and adjust angle and then tighten.



4. For recessed units drill appropriate hole into surface and attach springs with screws provided.



Photonstar LED Ltd.
Unit 8, Westlink,
Belbins Business Park
Romsey
Hampshire
SO51 7JF
UK

Tel: +44(0) 2381 230 381
Email: info@photonstarled.com
Web: www.photonstarlighting.com