



RFFF
Reef with Flush Face



RFFB
Reef with Flanged Bezel



RFRB
Reef with Recessed Bezel

- ✓ IP67 rated for use in wet areas
- ✓ Machined 316 marine grade stainless steel construction
- ✓ RFFB & RFRB are suitable for recessed and cast in applications
- ✓ RFFF is suitable for surface mounting with separate stirrup bracket
- ✓ Excellent efficacy of up to 113 luminaire lumens per circuit Watt
- ✓ Up to 135 delivered lumens
- ✓ Dimmable versions available

* See ancillary page for list of drivers.

Reef Flush Bezel

Miniature Decorative IP67 Marker Light with Flush Face



Overview:

- ✓ IP67 for use in wet areas
- ✓ Machined 316 marine grade stainless steel construction
- ✓ Efficacy of up to 113 luminaire lumens per circuit Watt
- ✓ Up to 135 delivered lumens

Finish(es): Stainless Steel (SS)

Option(s) (Flush Face): Short Corner Bracket (-C), Short Square Bracket (-B)

Option(s) (Flange Bezel): Recessed Spring Clip (-R), Casting-in Tube (-RT)

Option(s) (Recessed Bezel): Recessed Spring Clip (-R), Casting-in Tube (-RT)

Optic Options:

Type	Angle	Code	LOR	Notes
Aluminium Reflector	7°	/NS	81	1
Aluminium Reflector	15°	/S	81	1
Aluminium Reflector	25°	/NF	81	1
Aluminium Reflector	20x9°	/EL	84	1
Aluminium Reflector	70°	/WF	84	1

NB (Optics):
Beam angle is measured half value.
1 is Nix Fixed white light engine only.

Light Engines:

Name	Code	Performance
Nix 2 100	/NX2-100	See Light Engine Data Sheet

NB (Light Engines):
Performance may vary depending upon luminaire bezel choice and accessory.
All figures +/- 10% and specified at 25°C ambient unless stated.
CRI shift at 6000 hours remains within 3 points of the rated CRI.

Order Codes:

e.g. RFFSS/NX2-100-840/WF/ODV-B

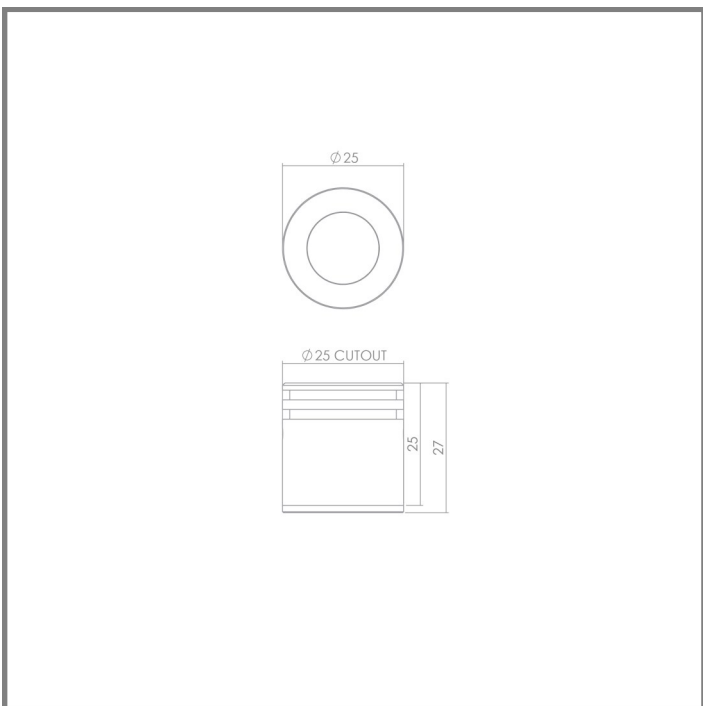
Product	Finish	Light Engine—Lumens	Photometric Code	Beam	Drivers	Options
RFFF	SS	/NX2-100	-830 -840	/NS /S /NF /EL /WF	/ODV	-C -B

NB: (Product)
Other bezel options are available but performance will vary from figures indicated above and on the luminaire data sheets. Please contact PhotonStar™ sales team for more information.

NB: (Drivers)
Recommended driver, Power factor >0.9, see driver data sheets for full data. Please check with the PhotonStar™ sales team for compatible dimmers. Only use shielded CAT6e cable with DMX drivers/controllers. ChromaWhite2.0™ DMX controllers require a low voltage PSU.

Technical Drawing:

Weight: 69g

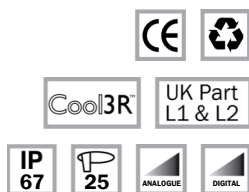


NB (Technical Drawing):
All dimensions in mm. Weight excludes driver.

Product:

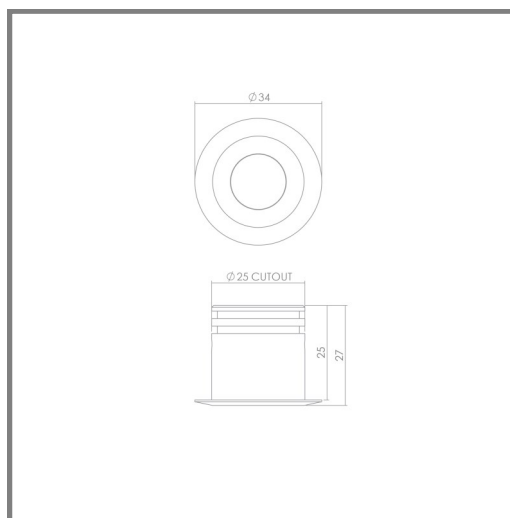
Reef Flanged Bezel

Miniature Decorative IP67 Marker Light with Flanged Bezel



Weight: 72g

Technical Drawing:



All dimensions in mm. Weight excludes driver.

Order Code Example: RFFBSS/NX2-100-840/WF/ODV-B

Product	Finish	Light Engine—Lumens	Photometric Code	Beam	Drivers	Options
RFFB	SS	/NX2-100	-830 -840	/NS /S /NF /EL /WF	/ODV	-C -B

NB: (Product)
Performance may vary depending upon luminaire bezel choice and accessory.
Please contact PhotonStar™ sales team for more information.
Adjustable Emergency versions will be mechanically locked at factory.

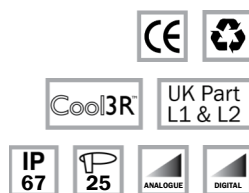
NB: (Drivers)
Recommended driver, Power factor >0.9, see driver data sheets for full data.
Please check with the PhotonStar™ sales team for compatible dimmers.
Only use shielded CAT6e cable with DMX drivers/controllers.
ChromaWhite2.0™ DMX controllers require a low voltage PSU.

Order Codes:

Product:

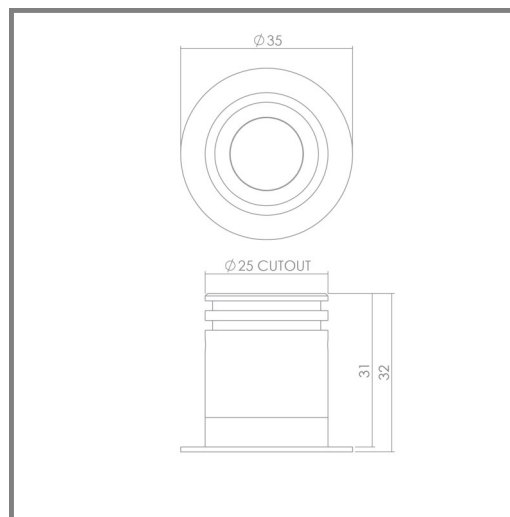
Reef Recessed Bezel

Miniature Decorative IP67 Marker Light with Recessed Bezel



Weight: 82g

Technical Drawing:



All dimensions in mm. Weight excludes driver.

Order Code Example: RFRBSS/NX2-100-840/WF/ODV-R

Product	Finish	Light Engine—Lumens	Photometric Code	Beam	Drivers	Options
RFEB	SS	/NX2-100	-830 -840	/NS /S /NF /EL /WF	/ODV	-R -RT

NB: (Product)
Performance may vary depending upon luminaire bezel choice and accessory.
Please contact PhotonStar™ sales team for more information.
Adjustable Emergency versions will be mechanically locked at factory.

NB: (Drivers)
Recommended driver, Power factor >0.9, see driver data sheets for full data.
Please check with the PhotonStar™ sales team for compatible dimmers.
Only use shielded CAT6e cable with DMX drivers/controllers.
ChromaWhite2.0™ DMX controllers require a low voltage PSU.

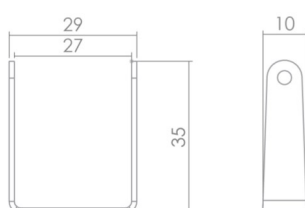
Order Codes:

Reef Bracket Options

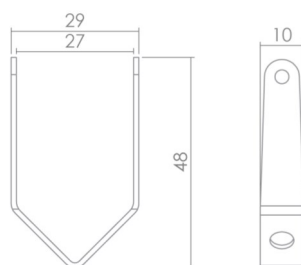
Accessories for Miniature Decorative IP67 Marker Light



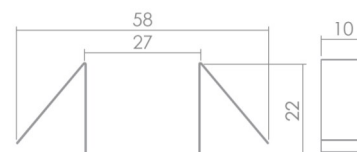
Reef with
Short Square Bracket (-B)



Reef with
Short Corner Bracket (-B)



Reef with
Recessed Spring Clip (-R)



NB (Brackets):
The casting-in tube (RT) is not shown.

Reef Driver Options

Compatible Drivers for the Reef Range

Order Codes:

Name	Compatible Light Engine	Min / Max Number of Fittings	Order Code	Notes
Non-Dimmable 10W 350mA Driver	Nix 2 100	(To Run Minimum 1 Unit, Maximum 8 Units)	10W-DVR-1-ND-350	
Non-Dimmable 10W 350mA Driver	Nix 2 100	(To Run Minimum 3 Unit, Maximum 9 Units)	10W-DVR-2-ND-350	
Mains Trailing Edge Dimmable 15W 350mA Driver	Nix 2 100	(To Run Minimum 4 Unit, Maximum 6 Units)	15W-DVR-2-TD-350	
Mains Trailing Edge Dimmable 18W 350mA Driver	Nix 2 100	(To Run Minimum 5 Unit, Maximum 14 Units)	18W-DVR-1-TD-350	
1-10V Dimmable 18W 350mA Driver	Nix 2 100	(To Run Minimum 4 Unit, Maximum 13 Units)	18W-DVR-1-1_10D-350	
DALI Dimmable 33W 350mA Driver	Nix 2 100	(To Run Minimum 5 Unit, Maximum 13 Units)	33W-DVR-1-DALI-350	
Non-Dimmable 6W 350mA Low Voltage 24V Driver	Nix 2 100	(To Run Minimum 1 Unit, Maximum 6 Units)	6W-LVDVR-24V-1-ND-350	(Requires Remote PSU)

NB: (Drivers)
Recommended driver, Power factor >0.9, see driver data sheets for full data.
Please check with the PhotonStar™ sales team for compatible dimmers.
Only use shielded CAT6e cable with DMX drivers/controllers.
ChromaWhite2.0™ DMX controllers require a low voltage PSU.

Nix & Oberon

Miniature Light Engines



All data is at colour temperature 4000K, CRI Ra80 (photometric code: 840).

Also available as 'Standard' in 3000K, CRI Ra80 (photometric code: 830).

Contact our sales team for more information.

V20180314

Performance Data:		Nix 2 100	Oberon 2 100	Oberon 2 140		
Description						
Order Code		NX2-100	OB2-100	OB2-140		
Equivalence						
Light Engine Power (W)		1W	1W	1.4W		
Source Lumens (lm)		148 lm	148 lm	202 lm		
CRI		80	80	80		
CCT (K)		4000K	4000K	4000K		
Source Efficiency (lm/W)		148 lm/W	148 lm/W	144 lm/W		
Number of Channels		1	1	1		
Voltage (V)		2.9V	2.9V	2.8V		
Current (mA)		350mA	350mA	500mA		
Optic		Reflector	Reflector	Reflector		
Beam Angle Options & (Code)*		7° (NS) 15° (S) 25° (NF) 20°x9° (EL) 70° (WF)	7° (NS) 15° (S) 25° (NF) 20°x9° (EL) 70° (WF)	7° (NS) 15° (S) 25° (NF) 20°x9° (EL) 70° (WF)		
Board Manufacturer		PhotonStar™	PhotonStar™	PhotonStar™		
LED Chip Type		CREE XTE	CREE XTE	CREE XTE		
Initial/Maintained SDCM		<3 / <3	<3 / <3	<3 / <3		
Rated Life (L70F10)		50,000 hrs	50,000 hrs	50,000 hrs		
Lumen Maint. Cat.		Cat 1 / Code 9	Cat 1 / Code 9	Cat 1 / Code 9		
Order Code Example		RFFBSS/NX2-100-840/S/AND	SRFBSS/OB2-100-840/S/AND	SRFBSS/OB2-140-840/S/AND		
Luminaire Example		RFFB 840 15deg	SRFB 840 15deg	SRFB 840 15deg		
System Power (SysW)**		1.2W	1.2W	1.7W		
Delivered Lumens (llm)		135 llm	135 llm	182 llm		
Delivered Efficacy (llm/cW)		113 llm/cW	113 llm/cW	107 llm/cW		
Driver & Controller Options * (Code)**		None (/ODV) Non-Dim (/AND) Trailing Edge Dim (/ATD) † 1-10V Dim (/A10) † DALI (/ADL) Other (/Call) -	None (/ODV) Non-Dim (/AND) Trailing Edge Dim (/ATD) † 1-10V Dim (/A10) † DALI (/ADL) Other (/Call) -	None (/ODV) Non-Dim (/AND) Trailing Edge Dim (/ATD) † 1-10V Dim (/A10) † DALI (/ADL) Other (/Call) -		
Emergency Output factor EOFI / BLF		N/A	N/A	N/A		

NB: All figures +/- 10% and specified at 25°C ambient unless stated. Data in grey is indicative.
CRI shift at 6000 hours remains within 3 points of the rated CRI.
Power factor > 0.9, see driver data sheet for full data.

* Measured, half value angle (/code). ** with recommended driver.
† Please check with PhotonStar sales team for compatible dimmers.
Only use shielded CAT6e cable. ChromaWhite2.0™ light engine controllers require low voltage PSU.

Lumen Adjustment Factor for CCT Across Tuning Range:

Photometric Code:	827	830	840	865	927	930	940	965	-
Conversion Factor:	-	1.00	1.00	-	-	-	-	-	-

Available in the Following Luminaires:

- ✓ Reef
- ✓ Shore



NB: Reef is only available with the Nix 2 100
Shore ID is only available with the Oberon 2 100; Shore RD is only available with the Oberon 2 100 & Oberon 2 140