

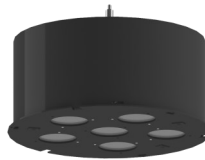
Olympus

High Output High Bay Luminaire

V20180314



OPPM
High Bay with
Prismatic Diffuser



OPBS
Basic High Bay

- ✓ Wire suspended high output ambient fixture
- ✓ Suitable for industrial and architectural applications
- ✓ Can achieve equivalent lux levels to 150W metal halide or SON fixtures
- ✓ No restrike issues
- ✓ Excellent efficacy of up to 93 luminaire lumens per circuit Watt
- ✓ Up to 5766 delivered lumens
- ✓ Emergency options available
- ✓ Build heritage with >65,000 hours test data

Olympus Prismatic

High Output High Bay Luminaire with Prismatic Diffuser



Overview:

- ✓ Prismatic Diffuser
- ✓ Suspension cable length can be shortened
- ✓ Efficacy of up to 93 luminaire lumens per circuit Watt
- ✓ Up to 5766 delivered lumens
- ✓ Integral sensor and emergency options

Finish(es): Matt Black (MB)

Option(s): Non-Self Test Emergency (-E),
Self Test & DALI Addressable Emergency (-D)
Integral Microwave Sensor (-M)

NB (Emergency Options):

Options not available for ChromaWhite2.0™ light engines, please use standalone emergency luminaires.
Adjustable versions will be mechanically locked at factory.
For emergency BLF %, please see our Emergency Pack Data Sheets.

Optic Options:

Type	Angle	Code	LOR	Notes
Aluminium Reflector	15°	/NS	75	2
Aluminium Reflector	24°	/NF	82	2
Aluminium Reflector	36°	/FL	85	2
Aluminium Reflector	50°	/WF	87	2
Diffuser	70°	/WF	89	1

NB (Optics):

Beam angle is measured half value.

1 is Starling light engine only. 2 is Merlin light engine only.

Light Engines:

Name	Code	Performance
Starling 1 650	/SL1-650	See Light Engine Data Sheet
Starling 1 900	/SL1-900	See Light Engine Data Sheet
Merlin 1 910	/MN1-910	See Light Engine Data Sheet
Merlin 1 1250	/MN1-1250	See Light Engine Data Sheet

NB (Light Engines):

Performance may vary depending upon luminaire bezel choice and accessory.

All figures +/- 10% and specified at 25 °C ambient unless stated.

CRI shift at 6000 hours remains within 3 points of the rated CRI.

Order Codes:

e.g. OPPMMB/MN1-910-830/WF/AND

Product	Finish	Light Engine—Lumens	Photometric Code	Beam	Drivers	Options
OPPM	MB	/SL1-650	-827 -830 -840	/WF	/AND /DMX /Call	-E -D -M
		/SL1-900	-827 -830 -840	/WF	/AND /DMX /Call	-E -D -M
		/MN1-910	-827 -830 -840	/NS /NF /FL /WF	/AND /DMX /Call	-E -D -M
		/MN1-1250	-827 -830 -840	/NS /NF /FL /WF	/AND /DMX /Call	-E -D -M

NB: (Drivers)

Recommended driver, Power factor >0.9, see driver data sheets for full data.

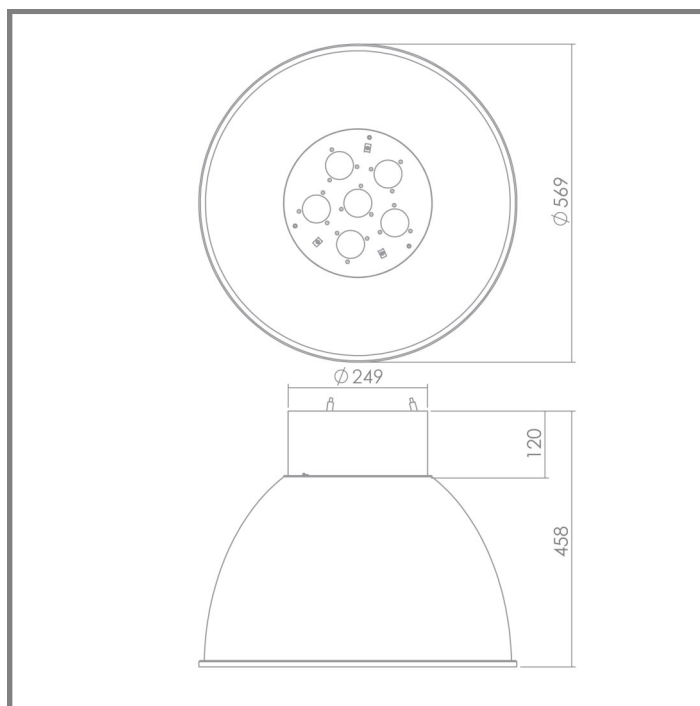
Please check with the PhotonStar™ sales team for compatible dimmers.

Only use shielded CAT6e cable with DMX drivers/controllers.

ChromaWhite2.0™ DMX controllers require a low voltage PSU.

Technical Drawing:

Weight: 6100g



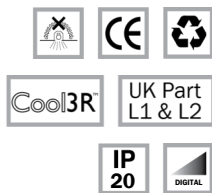
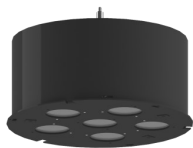
NB (Technical Drawing):

All dimensions in mm. Weight excludes driver.

Product:

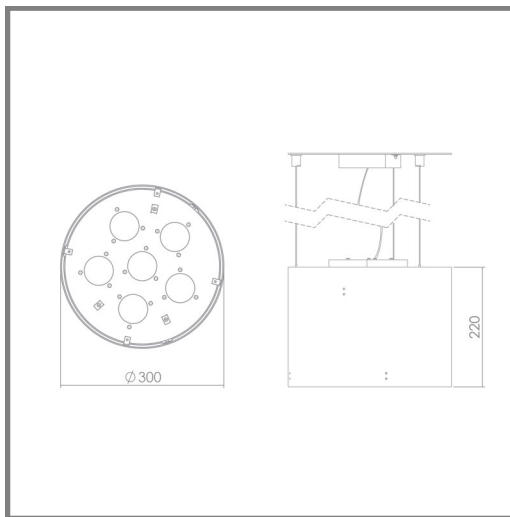
Olympus Basic

High Output High Bay Luminaire with No Diffuser



Weight: 5500g

Technical Drawing:



All dimensions in mm. Weight excludes driver.

Order Code Example: OPPMMB/MN1-910-830/WF/AND

Order Codes:

Product	Finish	Light Engine—Lumens	Photometric Code	Beam	Drivers	Options
OPPM	MB	/SL1-650	-827 -830 -840	/WF	/AND /DMX /Call	-E -D -M
		/SL1-900	-827 -830 -840	/WF	/AND /DMX /Call	-E -D -M
		/MN1-910	-827 -830 -840	/NS /NF /FL /WF	/AND /DMX /Call	-E -D -M
		/MN1-1250	-827 -830 -840	/NS /NF /FL /WF	/AND /DMX /Call	-E -D -M

NB: (Product)
Performance may vary depending upon luminaire bezel choice and accessory.
Please contact PhotonStar™ sales team for more information.
Adjustable Emergency versions will be mechanically locked at factory.

NB: (Drivers)
Recommended driver, Power factor >0.9, see driver data sheets for full data.
Please check with the PhotonStar™ sales team for compatible dimmers.
Only use shielded CAT6e cable with DMX drivers/controllers.
ChromaWhite2.0™ DMX controllers require a low voltage PSU.

Starling

Cost Effective Replacement for 50W GU10 Halogen



All data is at colour temperature 3000K, CRI Ra80 (photometric code: 830).

Also available as 'Standard' in 4000K, CRI Ra80 (photometric code: 840); and 2700K, CRI Ra80 (photometric code: 827).

'Special Order' also available in 2700K, Ra90; 3000K, Ra90; 4000K, Ra90. Contact our sales team for more information.

V20180314

Performance Data:		Starling 650	Starling 900			
Description						
Order Code		SL1-650	SL1-900			
Equivalence						
Light Engine Power (W)		4.2W	6.1W			
Source Lumens (lm)		628 lm	883 lm			
CRI		80	80			
CCT (K)		3000K	3000K			
Source Efficiency (lm/W)		150 lm/W	145 lm/W			
Number of Channels		1	1			
Voltage (V)		12.0V	12.2V			
Current (mA)		350mA	500mA			
Optic		Diffuse	Diffuse			
Beam Angle Options & (Code)*		70° (WF)	70° (WF)			
		-	-			
		-	-			
		-	-			
		-	-			
Board Manufacturer		PhotonStar™	PhotonStar™			
LED Chip Type		Lumiled 3030 2D	Lumiled 3030 2D			
Initial/Maintained SDCM		<3 / <3	<3 / <3			
Rated Life (L70F10)		50,000 hrs	50,000 hrs			
Lumen Maint. Cat.		Cat 1 / Code 9	Cat 1 / Code 9			
Order Code Example		CSEDM WSL1-650-830/WF/A/ND	CSEDM WSL1-900-830/WF/A/ND			
Luminaire Example		CSED 830 70deg	CSED 830 70deg			
System Power (SysW)**		5.8W	7.8W			
Delivered Lumens (lm)		565 lm	795 lm			
Delivered Efficacy (lm/cW)		98 lm/cW	102 lm/cW			
Driver & Controller Options * (Code)**		None (/ODV)	None (/ODV)			
		Non-Dim (/AND)	Non-Dim (/AND)			
		Mains-Dim (/DIM) †	Trailing Edge Dim (/ATD) †			
		1-10V Dim (/A10) †	1-10V Dim (/A10) †			
		DALI (/ADL)	DALI (/ADL)			
		-	-			
		-	-			
Emergency Output factor EOFI / BLF		57.14%	40.00%			

NB: All figures +/- 10% and specified at 25°C ambient unless stated. Data in grey is indicative.
CRI shift at 6000 hours remains within 3 points of the rated CRI.
Power factor > 0.9, see driver data sheet for full data.

* Measured, half value angle (/code). ** with recommended driver.
† Please check with PhotonStar sales team for compatible dimmers.
Only use shielded CAT6e cable. ChromaWhite2.0™ light engine controllers require low voltage PSU.

Lumen Adjustment Factor for CCT Across Tuning Range:



Photometric Code:	827	830	840	865	927	930	940	965	-
Conversion Factor:	0.97	1.00	1.09	-	-	-	-	-	-

Available in the Following Luminaires:

- ✓ CeilingStar
- ✓ Cordus
- ✓ Cordelia
- ✓ Vespertine
- ✓ Venturi
- ✓ LightSlot
- ✓ Simetra



Merlin

High Efficiency Replacement for 50W LV - 75W LV Halogen



V20180314

All data is at colour temperature 3000K, CRI Ra80 (photometric code: 830).

Also available as 'Standard' in 4000K, CRI Ra80 (photometric code: 840); and 2700K, CRI Ra80 (photometric code: 827).

'Special Order' also available in 2700K, Ra90; 3000K, Ra90; 4000K, Ra90. Contact our sales team for more information.

Performance Data:		Merlin 910	Merlin 1250			
Description						
Order Code		MN1-910	MN1-1250			
Equivalence						
Light Engine Power (W)		5.9W	8.6W			
Source Lumens (lm)		916 lm	1248 lm			
CRI		80	80			
CCT (K)		3000K	3000K			
Source Efficiency (lm/W)		155 lm/W	145 lm/W			
Number of Channels		1	1			
Voltage (V)		16.9V	17.2V			
Current (mA)		350mA	500mA			
Optic		Aluminium Reflector	Aluminium Reflector			
Beam Angle Options & (Code)*		15° (NS)	15° (NS)			
		24° (NF)	24° (NF)			
		36° (FL)	36° (FL)			
		50° (WF)	50° (WF)			
		-	-			
Board Manufacturer		PhotonStar™	PhotonStar™			
LED Chip Type		CREE CXB1512	CREE CXB1512			
Initial/Maintained SDCM		<3 / <3	<3 / <3			
Rated Life (L70F10)		50,000 hrs	50,000 hrs			
Lumen Maint. Cat.		Cat 1 / Code 9	Cat 1 / Code 9			
Order Code Example		CSEDM W/M N1910-830/WF/AND	CSEDM W/M N1-1250-830/WF/AND			
Luminaire Example		CSED 830 50deg	CSED 830 50deg			
System Power (SysW)**		7.6W	11.0W			
Delivered Lumens (llm)		797 llm	1086 llm			
Delivered Efficacy (llm/cW)		105 llm/cW	99 llm/cW			
Driver & Controller Options * (Code)**		None (/ODV)	None (/ODV)			
		Non-Dim (/AND)	Non-Dim (/AND)			
		Trailing Edge Dim (/ATD) †	Trailing Edge Dim (/ATD) †			
		1-10V Dim (/A10) †	1-10V Dim (/A10) †			
		DALI (/ADL)	DALI (/ADL)			
		-	-			
		-	-			
Emergency Output factor EOFI / BLF		43.14%	30.20%			

NB: All figures +/- 10% and specified at 25°C ambient unless stated. Data in grey is indicative.
CRI shift at 6000 hours remains within 3 points of the rated CRI.
Power factor > 0.9, see driver data sheet for full data.

* Measured, half value angle (/code). ** with recommended driver.
† Please check with PhotonStar sales team for compatible dimmers.
Only use shielded CAT6e cable. ChromaWhite2.0™ light engine controllers require low voltage PSU.

Lumen Adjustment Factor for CCT Across Tuning Range:



Photometric Code:	827	830	840	865	927	930	940	965	-
Conversion Factor:	0.94	1.00	1.00	-	-	-	-	-	-

Available in the Following Luminaires:

✓ CeilingStar

✓ Cordus

✓ Cordelia

✓ Vespertine

✓ Venturi

✓ LightSlot

✓ Simetra

✓ Chime

