



PhotonStar™

Nemesis Suspended Installation Instructions



IMPORTANT PLEASE READ BEFORE INSTALLATION



- Before commencing installation ensure the relevant mains supply has been safely isolated.
- Installation should be carried out in accordance with the latest relevant wiring regulations for the specific country/region.
- Installation should be carried out by a qualified electrician.
- Ensure all electrical connections are tight with no loose strands, including factory made connections.
- Mains cable should be slack and not bearing any load.

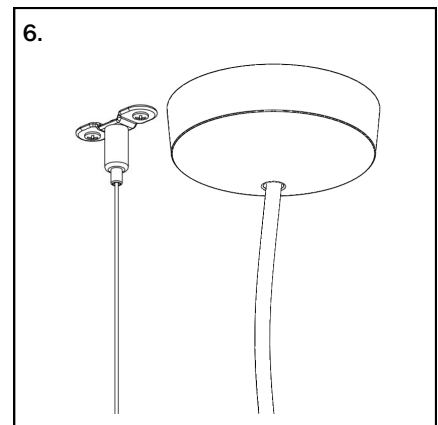
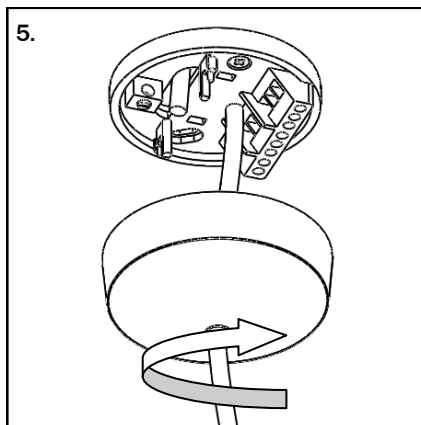
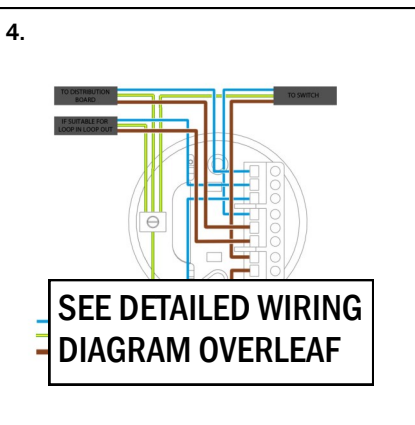
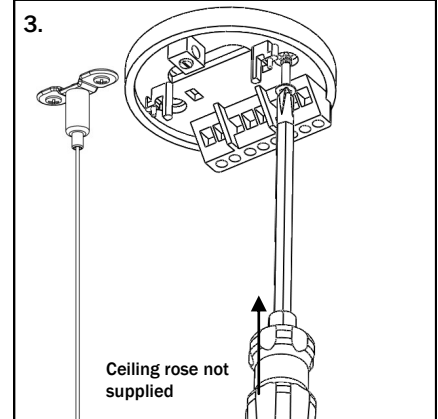
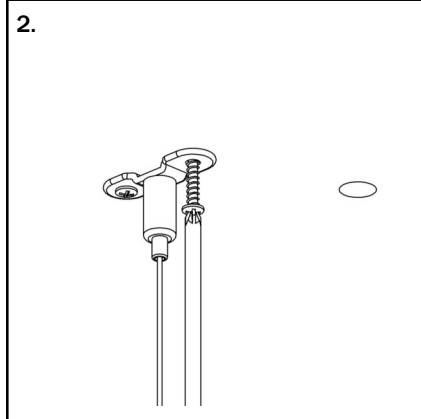
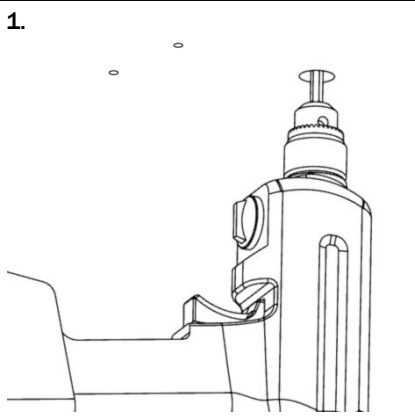
WARNINGS

- Use only with the approved driver for this product.
- This luminaire is for indoor use only.

This install manual covers the following products:



NS-SP-xx/xxx-xxxx-xxx/xx/xxx-x



Photonstar LED Ltd.
Unit 8, Westlink,
Belbins Business Park
Romsey
Hampshire
SO51 7JF
UK

Tel: +44(0) 2381 230 381
Email: info@photonstarled.com
Web: www.photonstarlighting.com

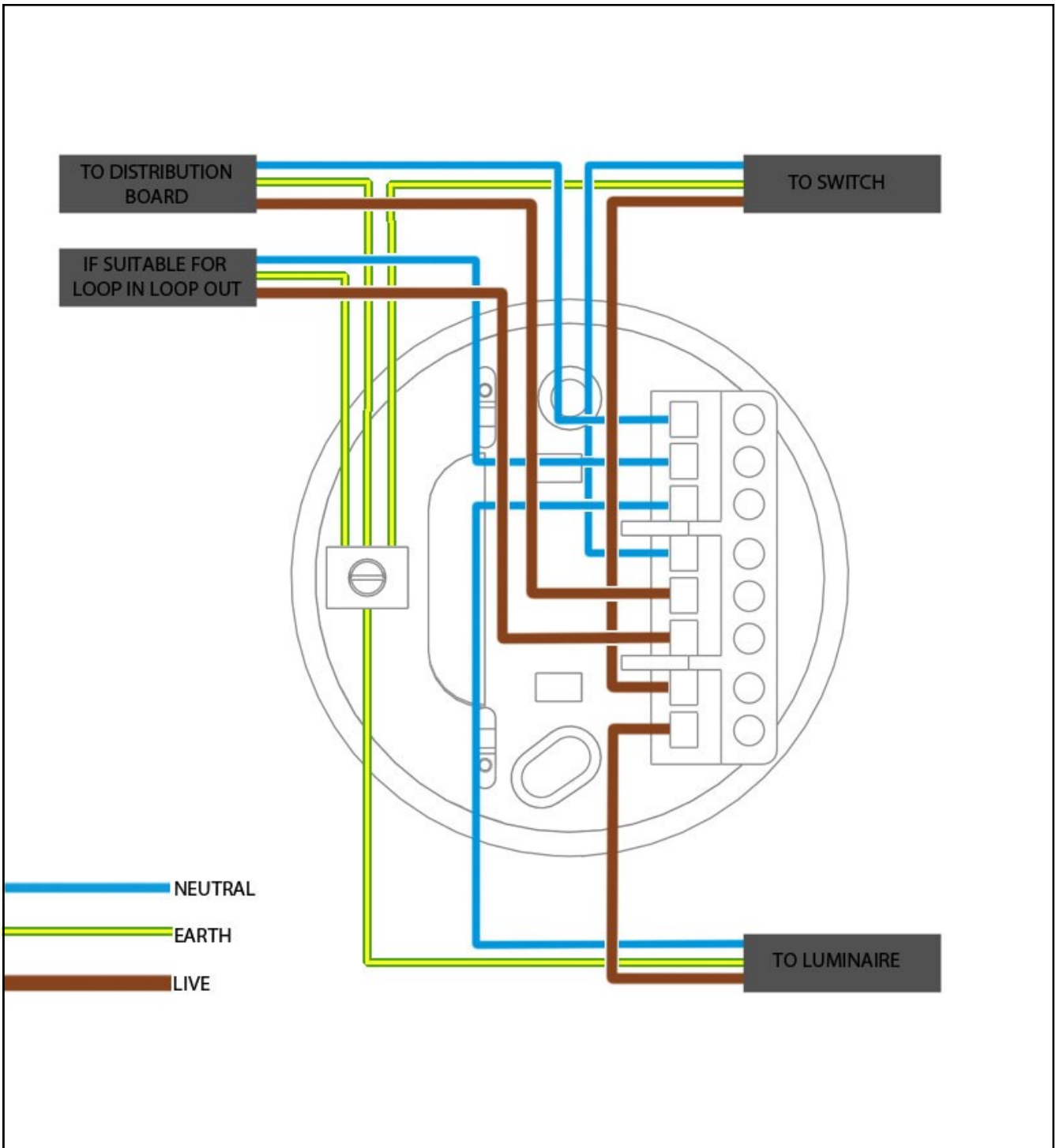


PLEASE READ THESE INSTRUCTIONS CAREFULLY BEFORE INSTALLATION
PLEASE RETAIN INSTRUCTIONS FOR FUTURE REFERENCE



PhotonStar™

Nemesis Suspended Installation Instructions



Photonstar LED Ltd.
Unit 8, Westlink,
Belbins Business Park
Romsey
Hampshire
SO51 7JF
UK

Tel: +44(0) 2381 230 381
Email: info@photonstarled.com
Web: www.photonstarlighting.com



P1 of 2
Revision:3 17/02/14