



PhotonStar™

LuxLoop Suspended Installation Instructions



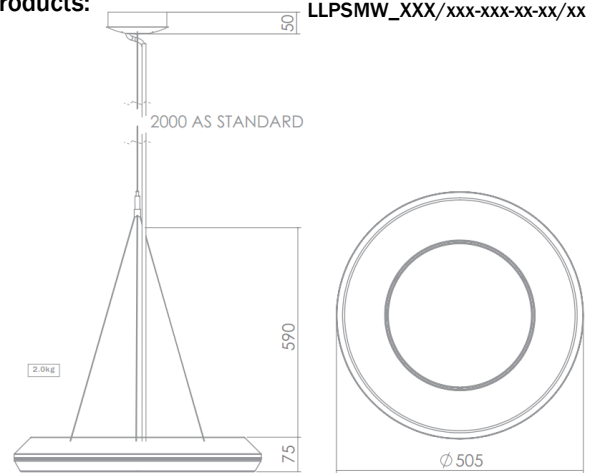
IMPORTANT PLEASE READ BEFORE INSTALLATION

- Before commencing installation ensure the relevant mains supply has been safely isolated.
- Installation should be carried out in accordance with the latest relevant wiring regulations for the specific country/region.
- Installation should be carried out by a qualified electrician.
- Ensure all electrical connections are tight with no loose strands, including factory made connections.

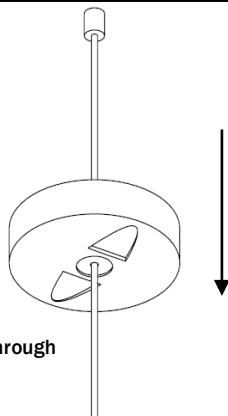
WARNINGS

- Use only with the approved driver for this product.
- This luminaire is for indoor use only.

This install manual covers the following products:

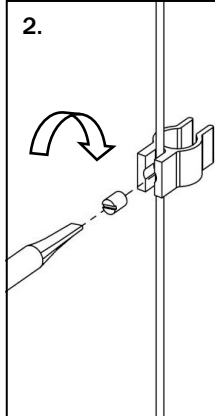


1.



Feed wire through center cap.

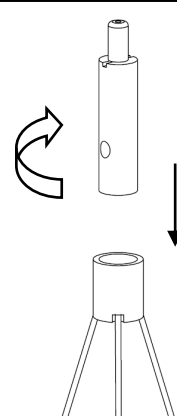
2.



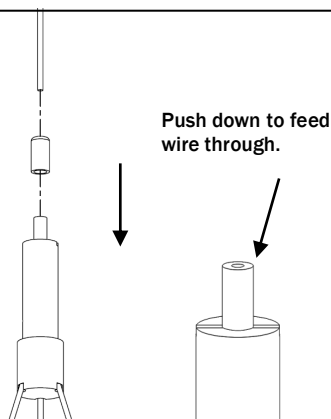
3 cable clips supplied can keep cable neat.

Place suspension wire through the cable clips and tighten grub screw until tight.

3.

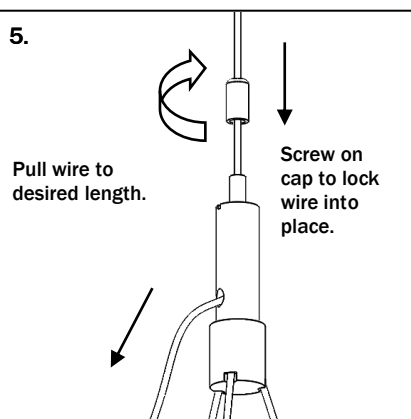


4.



Push down to feed wire through.

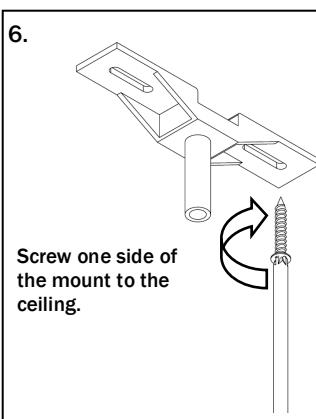
5.



Pull wire to desired length.

Screw on cap to lock wire into place.

6.



Screw one side of the mount to the ceiling.

Photonstar LED Ltd.
Unit 8, Westlink,
Belbins Business Park
Romsey
Hampshire
SO51 7JF
UK

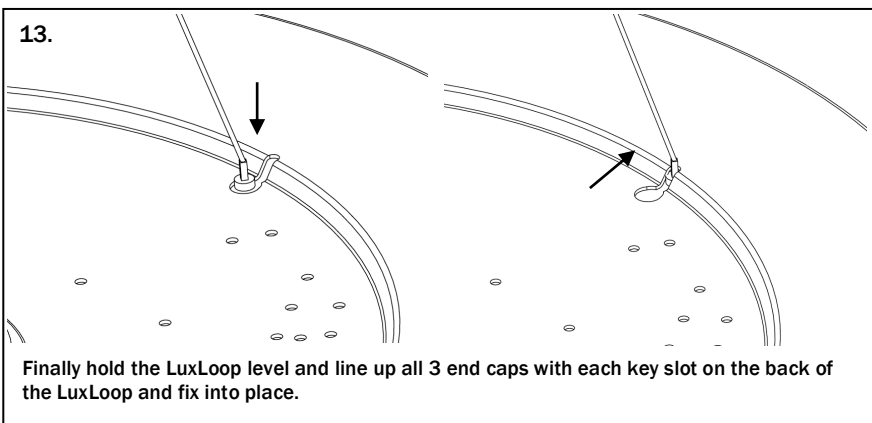
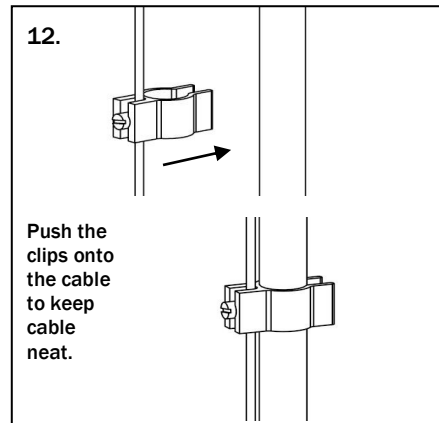
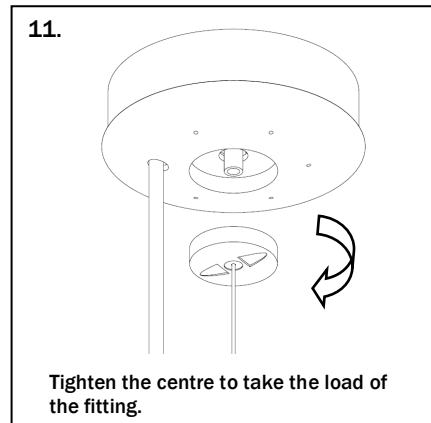
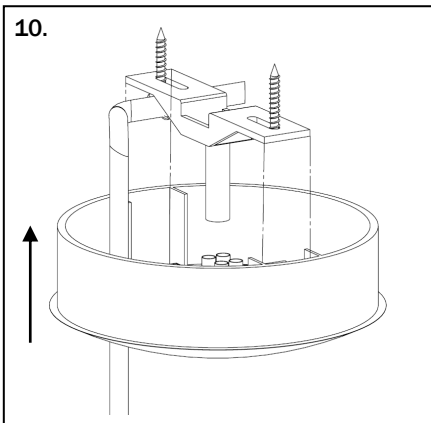
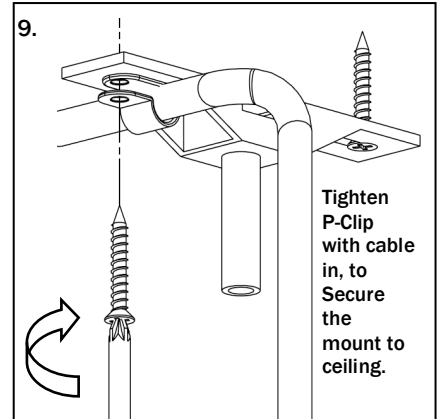
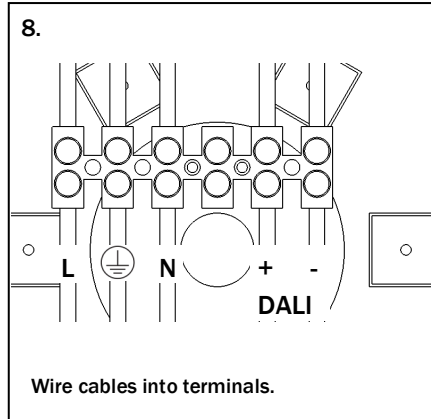
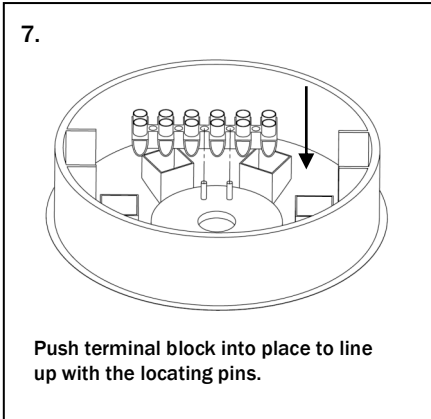
Tel: +44(0) 2381 230 381
Email: info@photonstarled.com
Web: www.photonstarlighting.com

PLEASE READ THESE INSTRUCTIONS CAREFULLY BEFORE INSTALLATION
PLEASE RETAIN INSTRUCTIONS FOR FUTURE REFERENCE



PhotonStar™

LuxLoop Suspended Installation Instructions



Photonstar LED Ltd.
Unit 8, Westlink,
Belbins Business Park
Romsey
Hampshire
SO51 7JF
UK

Tel: +44(0) 2381 230 381
Email: info@photonstarled.com
Web: www.photonstarlighting.com

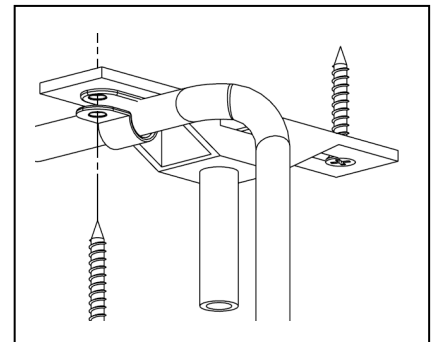
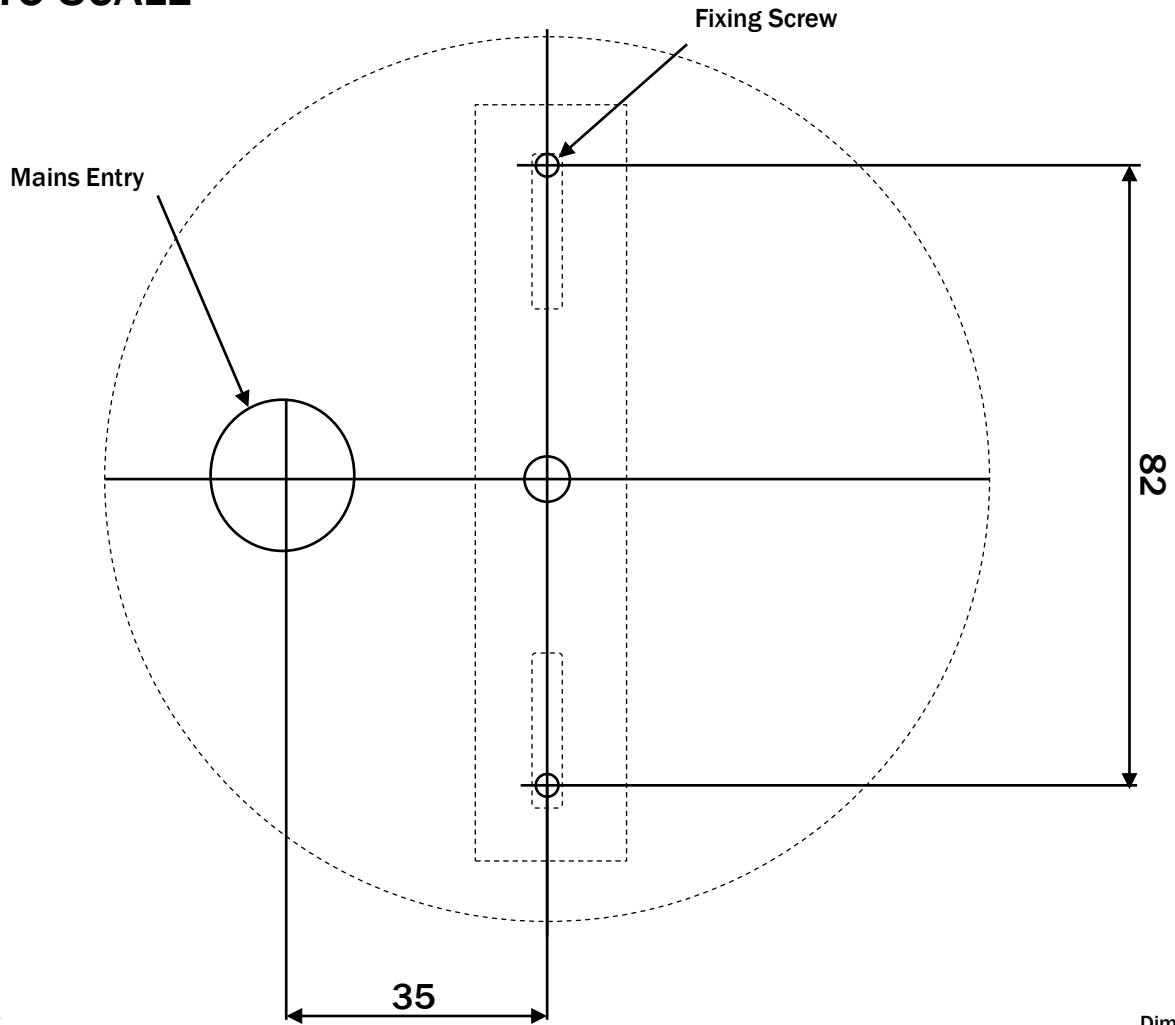
PLEASE READ THESE INSTRUCTIONS CAREFULLY BEFORE INSTALLATION
PLEASE RETAIN INSTRUCTIONS FOR FUTURE REFERENCE



PhotonStar™

LuxLoop Suspended Installation Instructions

NOT TO SCALE



Photonstar LED Ltd.
Unit 8, Westlink,
Belbins Business Park
Romsey
Hampshire
SO51 7JF
UK

Tel: +44(0) 2381 230 381
Email: info@photonstarled.com
Web: www.photonstarlighting.com