

LuxLoop Sunpipe

Family of Distinctive LED fittings
with Orbital Design & Sunpipe

V20170911



LPFT
Ceiling Grid Panel Fitting
with Orbital Design & Bespoke Sunpipe



LPSM
Surface Mount Fitting
with Orbital Design & Bespoke Sunpipe

- ✓ Designed in collaboration with F Mark
- ✓ Available in fixed white and ChromaWhite2.0™ colour tuneable options
- ✓ High performance polycarbonate diffuser for uniform distribution & low glare, UGR19
- ✓ Optimised for cylindrical illuminance, aids with LG7 compliance
- ✓ Integral microwave sensors & emergency options
- ✓ Excellent efficacy of up to 86 luminaire lumens per Watt
- ✓ Emergency options available
- ✓ Up to 3162 delivered lumens
- ✓ Sunpipe delivers 4480 lumens in full summer sun

LuxLoop Sunpipe Panel

Recessed LED Fixture with
Orbital Design & Sunpipe



Overview:

- ✓ Designed in accordance with EN12464 & BCO guidelines
- ✓ Optimised for cylindrical illuminance
- ✓ Low glare, UGR19 (achieved by luminous intensity of <3000cd at 65°)
- ✓ Enclosed low maintenance fitting
- ✓ Sunpipe delivers 4480 lumens in full summer sun

Finish(es): Matt White (MW)

Option(s): Non-Self Test Emergency (-E),
Microwave Sensor (-M),
Non-Self Test Emergency & Microwave Sensor (-Z)

NB (Emergency Options):
Options not available for ChromaWhite2.0™ light engines, please use standalone emergency luminaires.
Adjustable versions will be mechanically locked at factory.
For emergency BLF %, please see our Emergency Pack Data Sheets.

Optic Options:

Type	Angle	Code	LOR	Notes
Diffuse / Reflector	120°	/VW	80	1

NB (Optics):
Beam angle is measured half value.
1 is Fixed White & ChromaWhite2.0™ light engines only.

Light Engines:

Name	Code	Performance
Fixed White 1 4000	/LFW-4000	See Light Engine Data Sheet
Fixed White 1 5000	/LFW-5000	See Light Engine Data Sheet
Circadian	/LCT-4000	See Light Engine Data Sheet
CircadianMAX ColourMAX	/LCP-4000	See Light Engine Data Sheet

NB (Light Engines):
Performance may vary depending upon luminaire bezel choice and accessory.
All figures +/- 10% and specified at 25 °C ambient unless stated.
CRI shift at 6000 hours remains within 3 points of the rated CRI.

Order Codes:

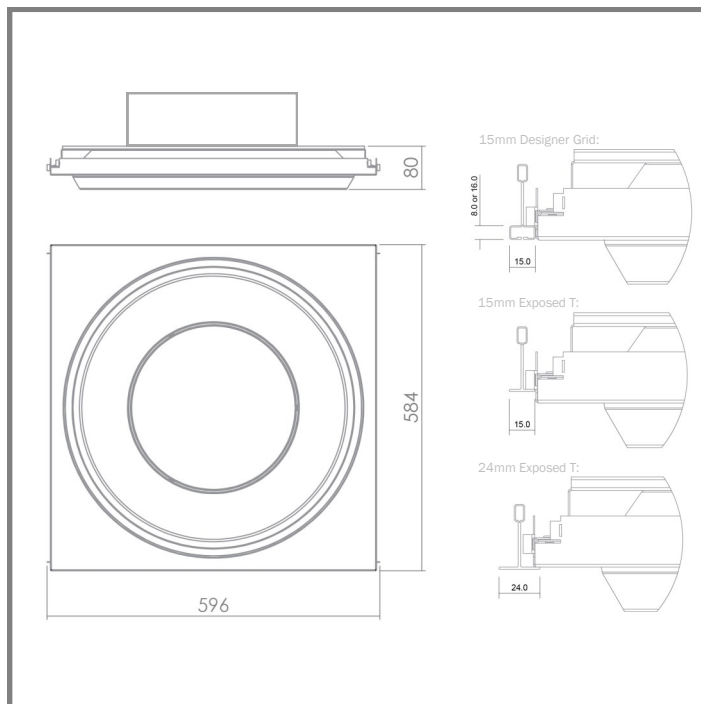
e.g. LPFTMW/LFW-4000-840/WF/AND

Product	Finish	Light Engine—Lumens	Photometric Code	Beam	Drivers	Options
LPFT	MW	/LFW-4000	-827 -830 -840	/VW	/AND /A10 /ADL /ODV	-E -M
		/LFW-5000	-827 -830 -840	/VW	/AND /A10 /ADL /ODV	-E -M
		/LCT-4000	-VCT	/VW	/DX2	-E -M
		/LCP-4000	-CPR	/VW	/DP2	-E -M

NB: (Drivers)
Recommended driver, Power factor >0.9, see driver data sheets for full data.
Please check with the PhotonStar™ sales team for compatible dimmers.
Only use shielded CAT6e cable with DMX drivers/controllers.
ChromaWhite2.0™ DMX controllers require a low voltage PSU.

Technical Drawing:

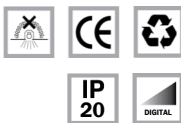
Weight: 6100g



NB (Technical Drawing):
All dimensions in mm. Weight excludes driver. Drawing shows LuxLoop Panel with Sunpipe section for illustrative purposes only. The Sunpipe component is completely bespoke in will vary on application, please contact sales for more information.

Product: LuxLoop Sunpipe Surface

Surface Mount LED Fixture
with Orbital Design & Sunpipe



Weight: 4600g



Technical Drawing:

NB (Technical Drawing): All dimensions in mm. Weight excludes driver. Drawing shows LuxLoop Panel with Sunpipe section for illustrative purposes only. The Sunpipe component is completely bespoke in will vary on application, please contact sales for more information.

Order Code Example: LPSMMW/LFW-4000-840/WF/AND

Order Codes:

Product	Finish	Light Engine—Lumens	Photometric Code	Beam	Drivers	Options
LPSM	MW	/LFW-4000	-827 -830 -840	/VW	/AND /A10 /ADL /ODV	-E -M
		/LFW-5000	-827 -830 -840	/VW	/AND /A10 /ADL /ODV	-E -M
		/LCT-4000	-VCT	/VW	/DX2	-E -M
		/LCP-4000	-CPR	/VW	/DP2	-E -M

NB: (Product)
Performance will vary from figures indicated on the luminaire data sheets.
Please contact PhotonStar™ sales team for more information.

NB: (Drivers)
Recommended driver, Power factor >0.9, see driver data sheets for full data.
Please check with the PhotonStar™ sales team for compatible dimmers.
Only use shielded CAT6e cable with DMX drivers/controllers.
ChromaWhite2.0™ DMX controllers require a low voltage PSU.