

PLEASE READ THESE INSTRUCTIONS CAREFULLY BEFORE INSTALLATION  
PLEASE



# Cryos

## Installation Instructions



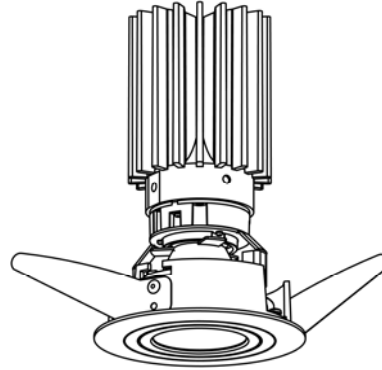
### IMPORTANT PLEASE READ BEFORE INSTALLATION

- Before commencing installation ensure the electricity is switched off at the mains.
- Installation should be carried out in accordance with the latest edition of the I.E.E. Wiring regulations (BS7671) taking into account the latest building regulations.
- Installation should be carried out by a qualified electrician.
- Ensure all electrical connections are tight with no loose strands, including factory made connections.

### WARNINGS

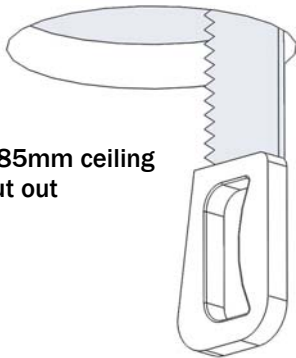
- Use only with the driver supplied
- This luminaire is for indoor use only
- **IMPORTANT** The driver and luminaire are to be used for non-insulated ceilings ONLY. To be used only with the cables provided.

This install manual covers the following products:



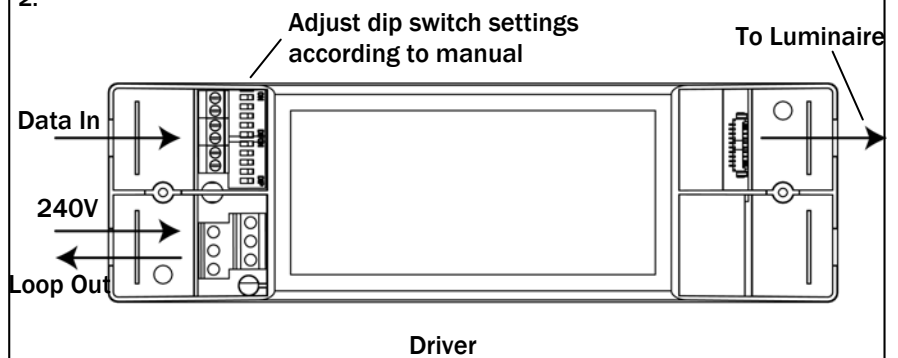
CY-FX-MW-XXXX  
CY-FD-MW-XXXX  
CY-PC-MW-XXXX  
CY-PK-MW-XXXX  
CY-DI-MW-XXXX  
CY-DD-MW-XXXX  
CY-A1-MW-XXXX  
CY-AD-MW-XXXX  
CY-WW-MW-XXXX

1.

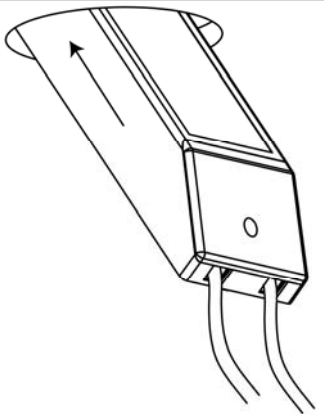


Ø85mm ceiling cut out

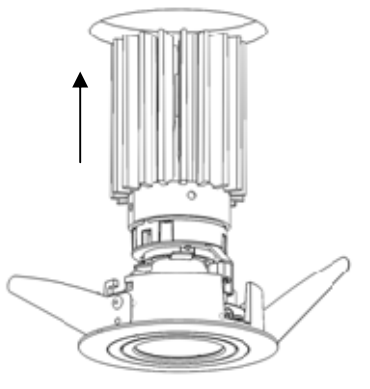
2.



3.



4.



Photonstar LED Group plc  
Unit 8, Westlink,  
Belbins Business Park  
Romsey  
Hampshire  
SO51 7JF

Tel: +44(0) 2381 230 381  
Email: sales@photonstarled.com  
Web: www.photonstarlighting.co.uk